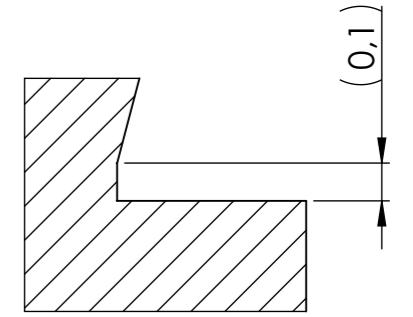
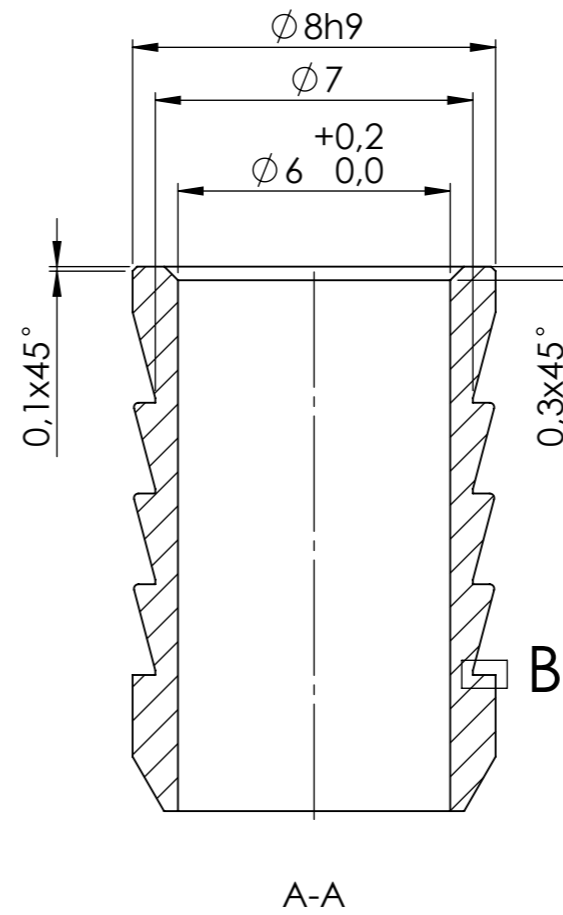
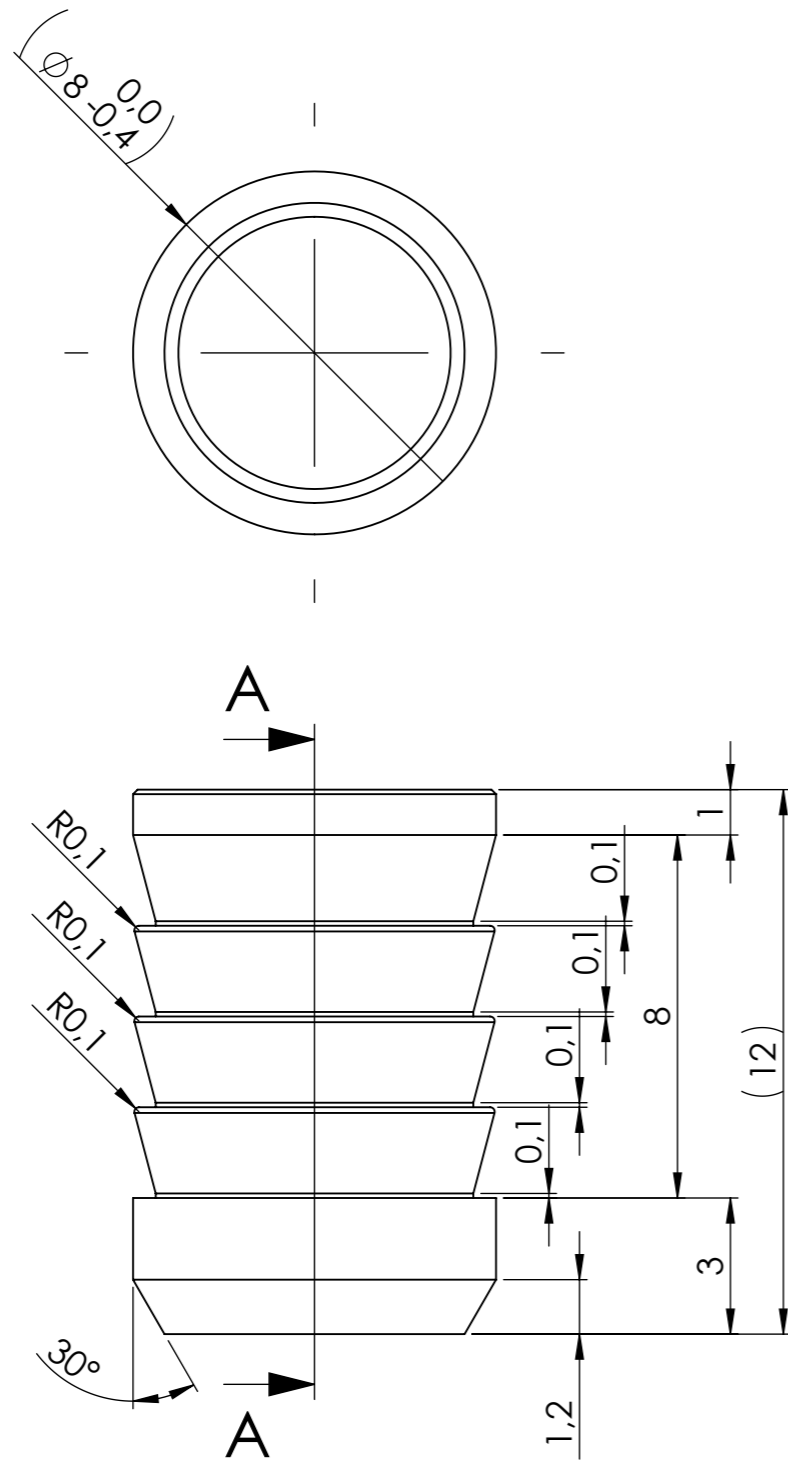
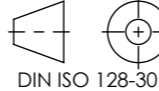


All property rights and rights to exploitation of copyright for this drawing data remain ours; they may not be made available to third parties without our consent.



B
50:1

| Index | Change | | Date | Name |
|---|---|----------|------------------|----------------------|
|  DIN ISO 128-30 | Description: Tischdübel+Hülsen-Set, 8x19,9mm, konische Form | | | |
| Surface: | Material: 1.0718 (11SMnPb30) | | Weight: 1.58 g | |
| PÖTTKER Transforming furniture | Name | Date | Raw material No: | |
| | Signed | Jakub P. | 11.01.2023 | Company |
| General tolerance: DIN ISO 2768 - mK | Tested | A.Jakobi | 19.01.2023 | |
| Item No: 15066 | | | Scale 6:1 | Page 1 / 1 A3 |