



APC 6

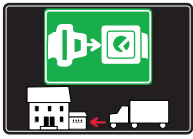
HANGERS





SYMBOLS AND FINISHES LEGEND

SYMBOLS



= SHELF SAFELY LOCKED DURING TRANSPORTATION AND AT HOME.



= ANTI-TURNOVER LOCKING SYSTEM



= NORMS / PATENTS



= PHILLIPS / POZIDRIV



= WITH BUFFER



= PART NO.



= BLADE SLOT



= WITH MAGNET



= PCS. PER PACKAGE



= COMBI SLOT



= HEXAGONAL SOCKET



= NEWTON



= CAPACITY LOADING



= HEXALOBULAR SOCKET



= FRICTION



= WOOD / GLASS THICKNESS



= COUNTERSUNK HEAD



= AUTOMATIC



= HOLE DIAMETER



= PAN HEAD



= DROP DOWN



= DIAMETER



= FLANGE HEAD



= LENGTH



= FLAT HEAD



= STANDARD HINGE



= HEIGHT



= TRILOBULAR SCREW



= KIMANA HINGE



= RIGHT VERSION



= SELF-TAPPING SCREW



= FLAP HINGE



= LEFT VERSION



= EURO THREAD



= WITH SPRING



= SETTING CODE



= METRIC THREAD



= WITHOUT SPRING



= PCS. PER PAD



= PRE-INSERTED SCREW



= REVERSED SPRING



= CUT ON REQUEST



= PRE-INSERTED SCREW AND SPREADING BUSH



= SELF ADHESIVE



= WITH FLANGE

NOTE: Printing errors and omissions may exist despite our best efforts to ensure accuracy. We reserve the right to alter specifications without notice.

MATERIALS

| | | | | |
|--|---------------------------------|-------------------------------|-------------------|--|
| ZA = Zinc Alloy | ST = Steel | HSS = High Speed Steel | BR = Brass | ABS = Acrylonitrile Butadiene Styrene |
| ZAnk = Nickel-plated Zinc Alloy | STzk = Zinc-plated Steel | AL = Aluminium | WD = Wood | EVA = Ethylene Vinyl Acetate |

| | | | |
|--|--|--------------------------------|--|
| EP = ENGINEERING PLASTIC | + EP = other engineering plastic available on request | SR = SOFT RUBBER | + SR = other soft rubber available on request |
|--|--|--------------------------------|--|

| | | |
|---|---|----------------------------------|
| EPn = Natural Engineering Plastic | EPc = Clear Engineering Plastic | SRn = Natural Soft Rubber |
| EPw = White Engineering Plastic | EPg = Grey Engineering Plastic | SRw = White Soft Rubber |
| EPwg = Water Green Engineering Plastic | EPa = Anthracite Engineering Plastic | SRb = Black Soft Rubber |

| | |
|--|---|
|  FINISHES | +  = OTHER FINISHES AVAILABLE ON REQUEST |
|--|---|

| PART NO. | FINISHES | PART NO. | FINISHES | PART NO. | FINISHES |
|----------|----------------------|----------|--------------------------|----------|------------------------------|
| OO | Insignificant finish | IF | Middle Grey | RO | Red |
| AA | Natural | IJ | Light Grey | UT | T-Met 9007 |
| AB | White | IL | Grey 20 | UZ | T-Met |
| AE | White 9010 | IN | Grey met. 26 | WA | Bronzed |
| EA | Black | JB | Bright Aluminium | WI | Burnished |
| EC | Matt Black | JC | Aluminium - Chrome | XD | Satin-finished Steel |
| EE | Anthracite | JD | Matt Aluminium | YA | Nickel-plated |
| EW | Grey 9007 | JE | Satin-finished Aluminium | YB | Bright Nickel-plated |
| FU | Gunmetal | JF | Aluminium - Brass | YC | Matt Nickel-plated |
| FV | Gunmetal V52 | JG | Aluminium 5 | YD | Satin-finished Nickel-plated |
| GR | Raw | JL | Aluminium PE 11 | YQ | Black Nickel |
| HA | Brass-Plated | JM | Aluminium RAL 9006 | Z9 | Black Zinc |
| HH | Tropicalized | KA | Chrome | ZA | Zinc alloy |
| HL | Raw Brass | KB | Bright Chrome | ZN | Zinc-plated |
| HX | Graphite | KC | Matt Chrome | ZQ | Bright Gold |
| IA | Grey | LD | Brown 8019 | ZY | Titanium |
| IB | Metallic Grey | NN | Metallic Beige | ZZ | Clear |

APC 1, APC 3, APC 4, APC 6 LIVING SETTINGS



APC 1



APC 4



APC 3



APC 6



APC 6

APC6 is a left/right invisible cabinet hanger with 2 semi-circular pins Ø15 mm especially conceived for automatic assembly. APC6 grants high performances even without its fixing on the top panel. It can be installed on cabinets with side panels of minimum 16 mm and with a minimum sanitary gap of 15 mm. APC6 allows a vertical adjustment up to 18 mm and an in-depth adjustment of maximum 31 mm. The adjustments can be carried out from the inside of the cabinet by using a standard PZ2 screwdriver. Also featured in the APC family are 1 type of wall plate and 2 types of wall bars made of very thick zinc-coated steel and hardened by punched impressions. Wall bars and wall plates feature oval holes which facilitate the correct positioning and give possibility to carry out the horizontal adjustment. Also available 2 different cover caps: one round version for Ø20 mm hole and one square version for double Ø12 mm holes.

FEATURES AND BENEFITS

- LOADING CAPACITY: 65 KG PER PIECE from internal tests.
- AUTOMATIC ASSEMBLY: especially conceived for the automatic installation on the cabinet.
- WIDE ADJUSTMENT RANGE: vertical and in-depth adjustments.
- ONE COVER CAP: only one hole is needed to provide access to all adjustments.

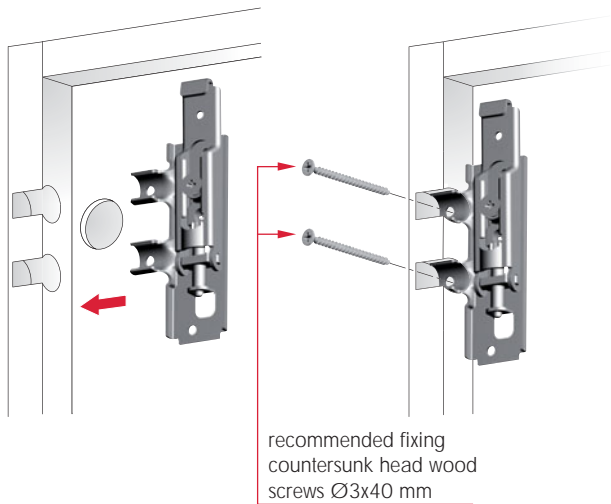
UNI EN 15939:2014 - 65 Kg per piece



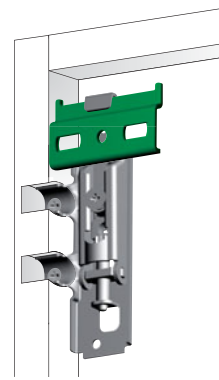
Certificates available on request.



INSTALLATION UNDER THE CABINET TOP



INSTALLATION ON THE WALL

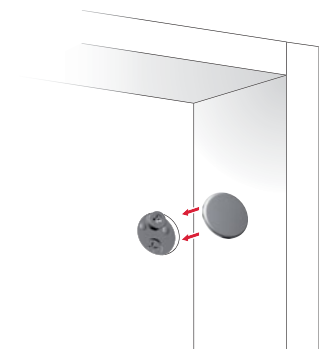


It is the responsibility of the customer:

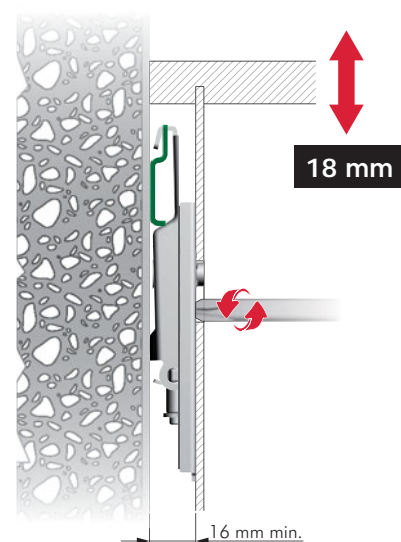
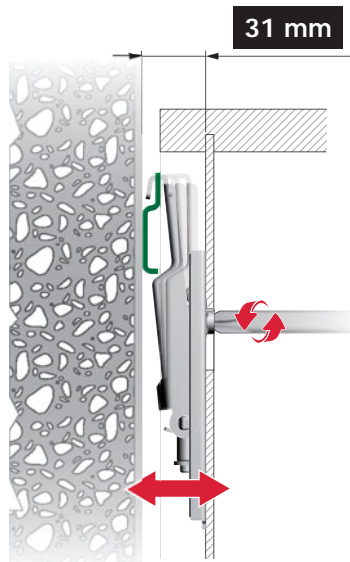
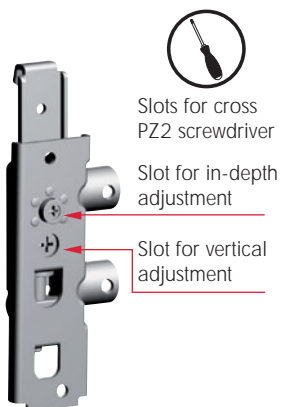
- to ensure that the wall is of a suitable quality to hold the unit fixing in place.
- to use the proper hardware fittings according to the construction of the wall.

For more specific information, please refer to the WARNINGS section at the end of the catalogue.

COVER CAP INSERTING



ADJUSTMENTS



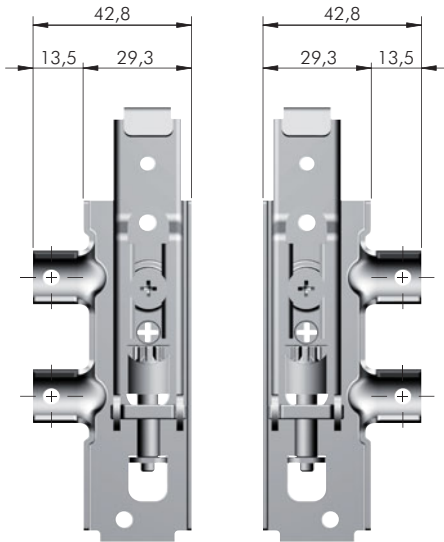
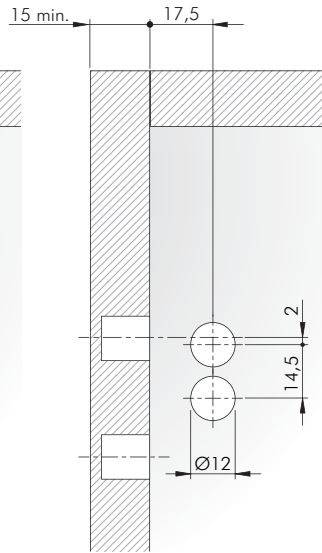
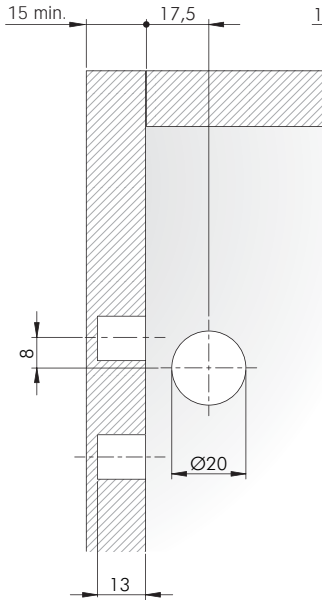
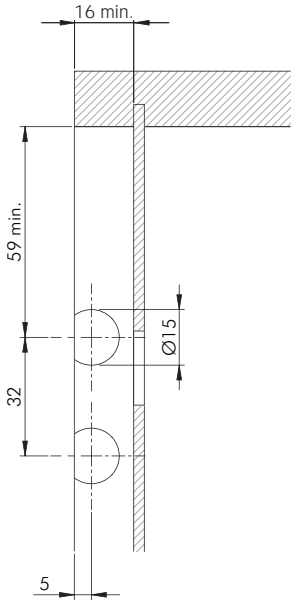
DRILLING PLAN FOR APC 6 FIXED UNDER THE CABINET TOP

SIDE PANEL AND SERVICE GAP

BACK PANEL

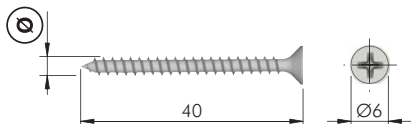
APC cover cap $\varnothing 20$

APC cover cap double hole $\varnothing 12$



| | | | |
|-------------------|-------|--|------------|
| | = PZ2 | | = 100 pcs. |
| | | | |
| | | | |
| 65210020ZN | | | |
| 65210030ZN | | | |

APC 6 FIXING ACCESSORY



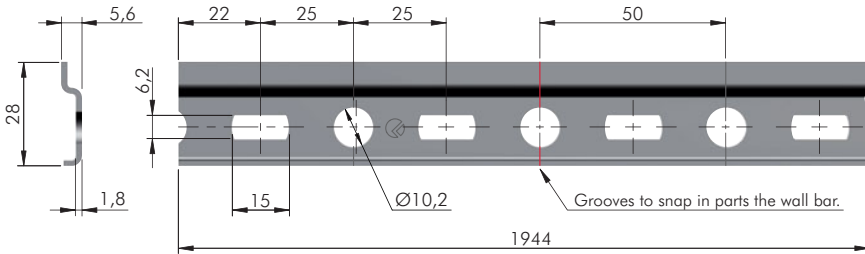
| | | | |
|-------------------|--|-----|------------|
| | | | + |
| | | | = 500 pcs. |
| | | | |
| 60101270ZN | | 3 | PZ1 |
| 60101450ZN | | 3,5 | PZ2 |



WPC1 WALL BAR



Certificates available on request.



ST = 20 pcs.

123

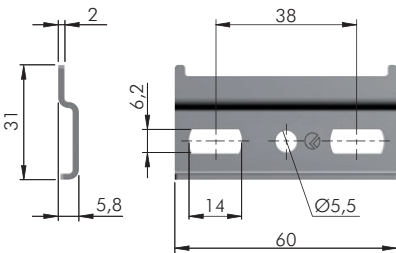
65240010ZN



WPC2 WALL PLATE



Certificates available on request.



ST = 100 pcs.

123

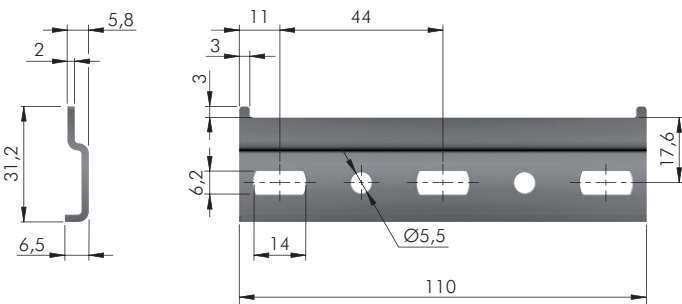
65230010ZN



WPC110 WALL PLATE



Certificates available on request.



ST = 100 pcs.

123

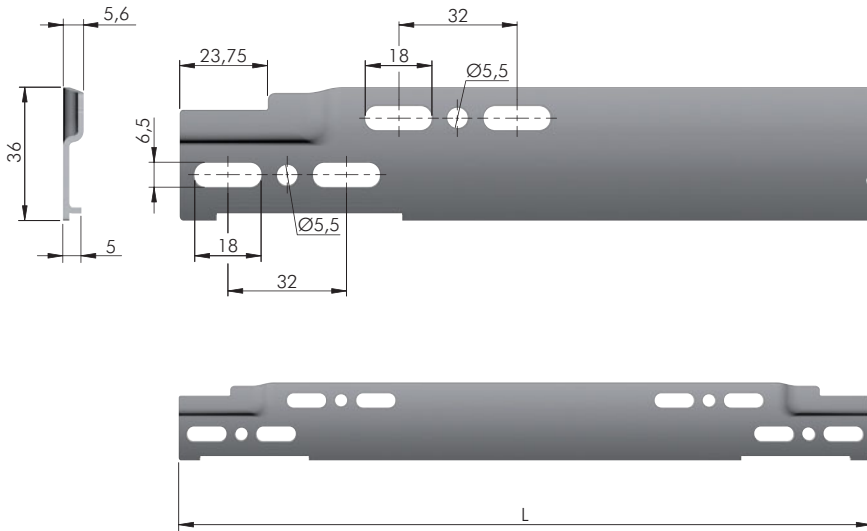
65230100ZN



WPC3 WALL BAR



Certificates available on request.



ST = 20 pcs.

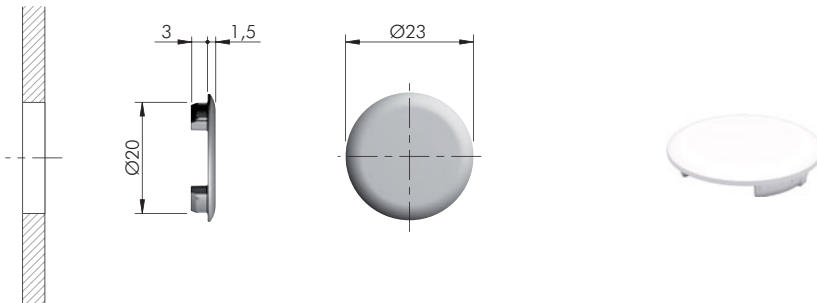
6525 XXXX ZN

6525 XXXX ZN

L = Length of the bar in mm



APC COVER CAP Ø20

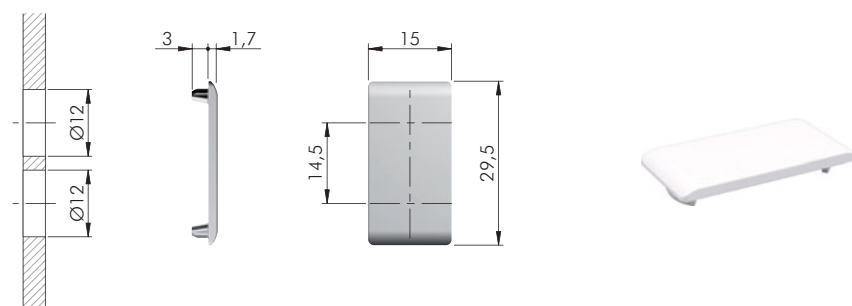


+ + = Ø 20 mm

EP = 5000 pcs.

65270100AB
65270100EE
65270100IJ

APC COVER CAP DOUBLE HOLE Ø12

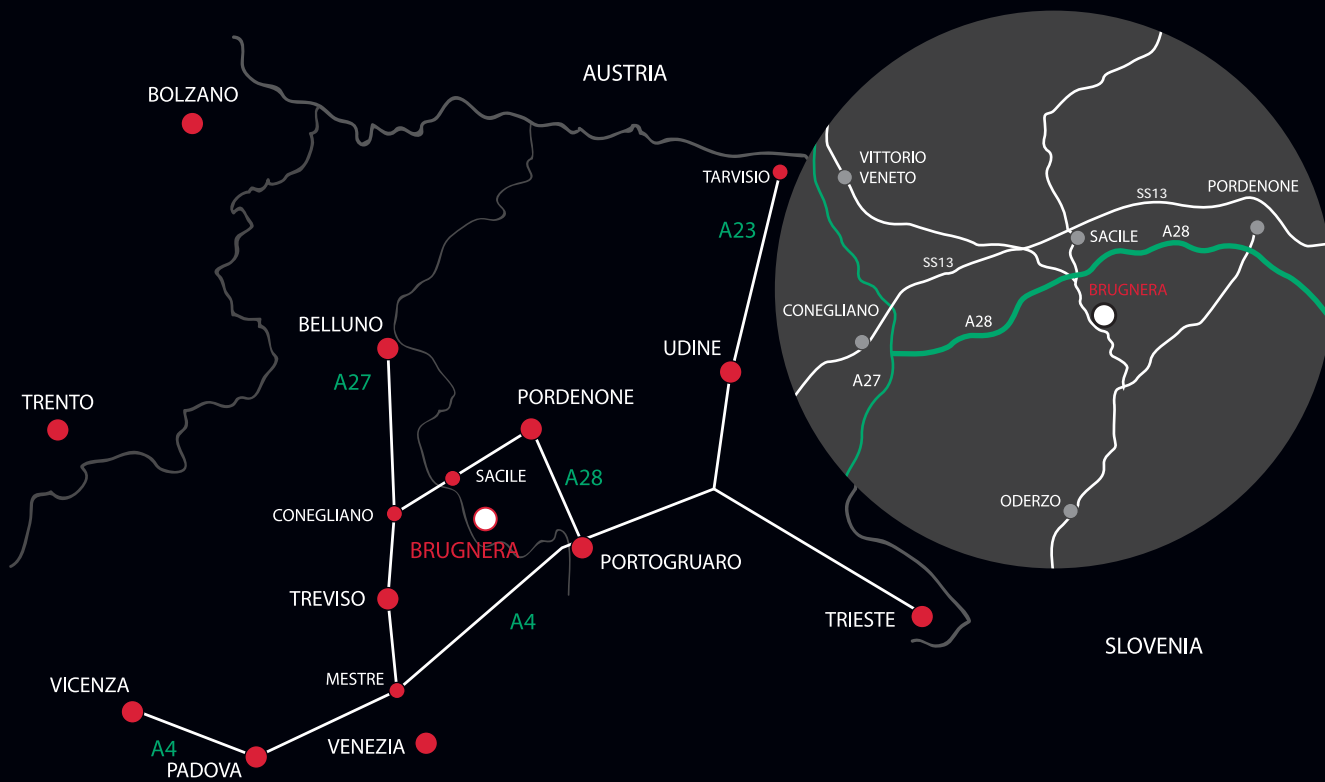


+ + = Ø 12 mm

EP = 5000 pcs.

65270200AB
65270200EE
65270200IJ





www.italianaferramenta.it